



SUBMITTAL DATA SHEET

24K Single-Zone Mini Split System

Location: _____ Engineer: _____ Submitted to: _____ Submitted by: _____ Reference: _____	Approval: _____ Date: _____ Construction: _____ Unit #: _____ Drawing #: _____
--	--

Set Model	
Indoor unit model	ACIQ-K24W-HP230
Outdoor unit model	ACIQ-K24Z-HP230
Certified	
AHRI	
UL	



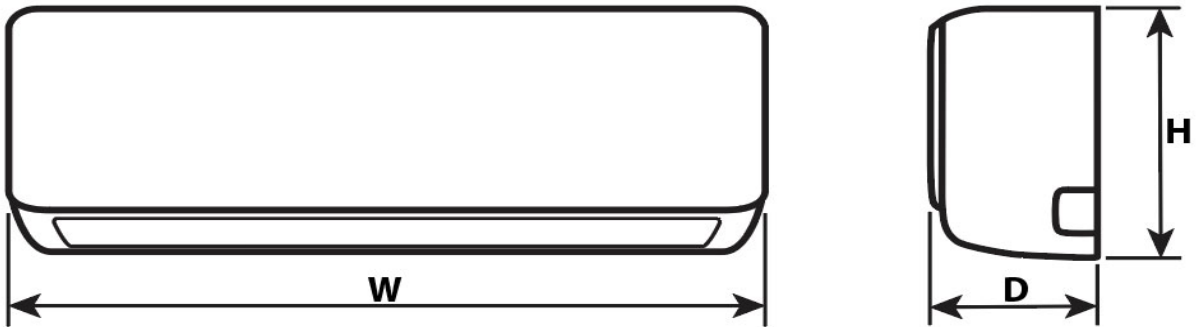
SYSTEM PERFORMANCE DATA		
Power supply		
Normal Operational Voltage	(V, Ph, Hz)	208/230V, 1Ph, 60Hz
Electrical		
Minimum circuit ampacity (Outdoor)	(A)	19
Max. fuse (Outdoor)	(A)	30
Connection wiring	Size x Core Number	4x16AWG
Max Current (T1)	(A)	13
Current Range	(A)	3.6-12.0
Cooling		
Rated Cooling Capacity at 95°F (35°C)	(Btu/h)	24000
Rated Input Consumption	(W)	2360
Rated Current	(A)	11.0
SEER2 at 95°F (35°C)	(Btu/W.h)	19.0
EER2 at 95°F (35°C)	(Btu/W.h)	10.0
Heating		
Rated Heating Capacity at 47°F (8.3°C)	(Btu/h)	24400
Rated Input Consumption	(W)	2230
Rated Current	(A)	10.5
HSPF2-4	(Btu/W.h)	8.5
HSPF2-5	(Btu/W.h)	7.0
COP2 at 47°F (8.3°C)	W/W	3.21
COP2 at 5°F (-15°C)	W/W	1.75
Max. Heating Capacity at 5°F (-15°C)	(Btu/h)	15100 (62%)

REFRIGERANT PIPE DATA		
Maximum Operation Pressure	(PSIG)	550.0
Refrigerant Type (Condenser Pre-Charged)		R410A
Line Set Length	(ft)	16.0
	(m)	5.0
Additional charge for each ft	(oz/ft)	0.32
Additional charge for each m	(g/m)	30.0
Liquid side/ Gas side (indoor)	(inch)	1/4" / 1/2"
	(mm)	6.35 / 12.70
Liquid side/ Gas side (outdoor)	(inch)	1/4" / 1/2"
	(mm)	6.35 / 12.70
Max. line length	(ft)	50.0
	(m)	15.0
Max. difference in level	(ft)	16.0
	(m)	5.0
Connection method	Type	Flared Fitting
Operating Temperature	(Deg. °F)	61° ~ 88°
	(Deg. °C)	16° ~ 31°
Ambient Temperature		
Indoor (cooling)	(Deg. °F)	≥ 62°
	(Deg. °C)	≥ 17°
Indoor (heating)	(Deg. °F)	≤ 86°
	(Deg. °C)	≤ 30°
Outdoor (cooling)	(Deg. °F)	5° ~ 122°
	(Deg. °C)	-15° ~ 50°
Outdoor (heating)	(Deg. °F)	-4° ~ 86°
	(Deg. °C)	-20° ~ 30°

INDOOR UNIT DATA		
Airflow & Noise level		
Indoor airflow (Hi/Med/Lo)	(CFM)	847/700/641
	(m3/h)	1440/1190/1090
Indoor noise level (Turbo/Hi/Med/Lo/Mute)	dB(A)	51/48/43/38/35
Suitable Room Coverage Area	sq. ft.	Up to 1500
Dehumidification		
	(Liters/Hr)	2.6
Unit & Packing Dimensions		
Unit Dimensions (WxDxH)	(inch)	46.93x14.17x10.23
	(mm)	1192x360x260
Packing Dimensions (WxDxH)	(inch)	49.80x17.13x13.27
	(mm)	1265x435x337
Net/Gross Weight		
Net/Gross weight (w/o accessories)	(lbs.)	36.4/43.0
	(kg)	16.5/19.5
Net/Gross weight (w/ all accessories)	(lbs.)	38.6/45.2
	(kg)	17.5/20.5

OUTDOOR UNIT DATA		
Air flow & Noise level		
Outdoor air flow (Max.)	(CFM)	1760
	(m3/h)	3000
Outdoor noise level	dB(A)	58
Unit & Packing Dimensions		
Unit Dimensions (WxDxH)	(inch)	33.26x14.96x27.51
	(mm)	845x380x699
Packing Dimensions (WxDxH)	(inch)	37.40x16.53x29.53
(w/o 5m pipe)	(mm)	950x420x750
Packing Dimensions (WxDxH)	(inch)	37.79x16.92x29.53
(w/ 5m pipe)	(mm)	960x430x750
Packing Dimensions (WxDxH)	(inch)	38.00x17.33x30.91
(w/ larger packaging & 5m pipe)	(mm)	965x440x785
Net/Gross Weight		
Net/Gross Weight (w/o 5m pipe)	(lbs.)	89.3/95.9
	(kg)	40.5/43.5
Net/Gross Weight (w/ 5m pipe)	(lbs.)	93.7/100.3
	(kg)	42.5/45.5
Gross Weight	(lbs.)	109.1
(w/ larger packaging & 5m pipe)	(kg)	49.5

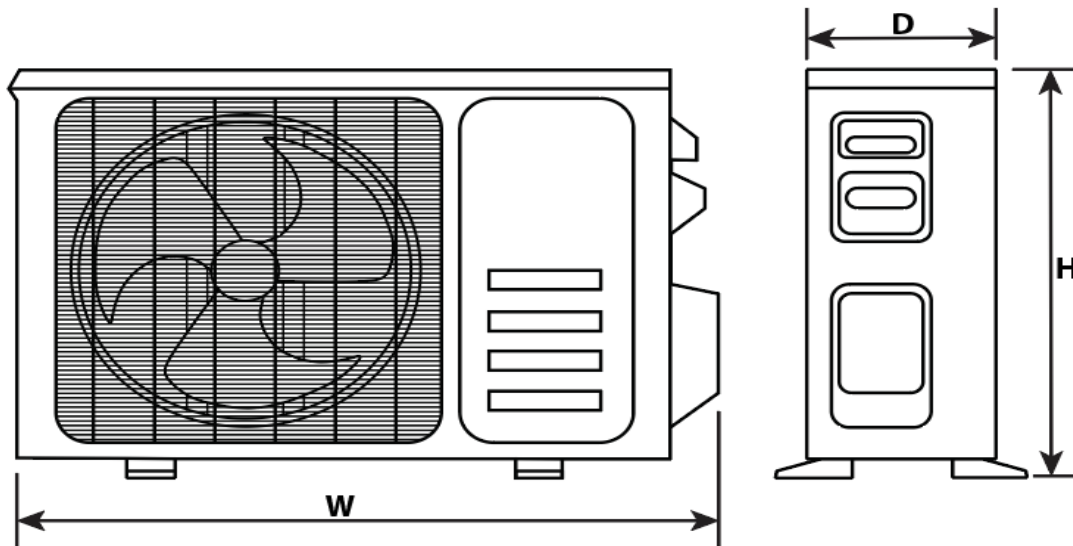
Indoor Unit Dimensions



Capacity	W (Width)	D (Depth)	H (Height)
9K-12K	31.92 in (811 mm)	11.49 in (292 mm)	8.07 in (205 mm)
18K	39.76 in (1010 mm)	12.40 in (315 mm)	8.66 in (220 mm)
24K-36K	46.93 in (1192 mm)	14.17 in (360 mm)	10.23 in (260 mm)

Units: Inch (Millimeter)

Outdoor Unit Dimensions



Capacity	W (Width)	D (Depth)	H (Height)
9K-12K	28.14 in (715 mm)	11.42 in (290 mm)	19.61 in (498 mm)
18K	30.70 in (780 mm)	13.74 in (349 mm)	23.81 in (605 mm)
24K	33.26 in (845 mm)	14.96 in (380 mm)	27.51 in (699 mm)
36K	35.83 in (910 mm)	16.54 in (420 mm)	31.50 in (800 mm)

Units: Inch (Millimeter)