



## SUBMITTAL DATA SHEET

### 18K Single-Zone Mini Split System

Location: _____ Engineer: _____ Submitted to: _____ Submitted by: _____ Reference: _____	Approval: _____ Date: _____ Construction: _____ Unit #: _____ Drawing #: _____
--	--

<b>Set Model</b>	Indoor unit model: ACIQ-K18W-HP230 Outdoor unit model: ACIQ-K18Z-HP230
<b>Certified</b>	AHRI UL



### SYSTEM PERFORMANCE DATA

<b>Power supply</b>		
Normal Operational Voltage	(V, Ph, Hz)	208/230V, 1Ph, 60Hz
<b>Electrical</b>		
Minimum circuit ampacity (Outdoor)	(A)	13
Max.fuse (Outdoor)	(A)	20
Connection wiring	Size x Core Number	4x16AWG
Max Current (T1)	(A)	11
Current Range	(A)	2.9-9.5
<b>Cooling</b>		
Rated Cooling Capacity at 95°F (35°C)	(Btu/h)	18000
Rated Input Consumption	(W)	1840
Rated Current	(A)	8.2
SEER2 at 95°F (35°C)	(Btu/W.h)	19.0
EER2 at 95°F (35°C)	(Btu/W.h)	9.4
<b>Heating</b>		
Rated Heating Capacity at 47°F (8.3°C)	(Btu/h)	19600
Rated Input Consumption	(W)	1730
Rated Current	(A)	7.7
HSPF2.4	(Btu/W.h)	8.5
HSPF2.5	(Btu/W.h)	7.0
COP2 at 47°F (8.3°C)	WW	3.21
COP2 at 5°F (-15°C)	WW	1.75
Max. Heating Capacity at 5°F (-15°C)	(Btu/h)	12000 (61%)

### REFRIGERANT PIPE DATA

Maximum Operation Pressure	(PSIG)	550
Refrigerant Type (Condenser Pre-Charged)		R410A
Lin Set Length	(ft)	16.0
	(m)	5.0
Additional charge for each ft	(oz/ft)	0.32
Additional charge for each m	(g/m)	30.0
Liquid side/ Gas side (indoor)	(inch)	1/4"/3/8"
	(mm)	6.35/9.52
Liquid side/ Gas side (outdoor)	(inch)	1/4"/3/8"
	(mm)	6.35/9.52
Max. line length	(ft)	50.0
	(m)	15.0
Max. difference in level	(ft)	16.0
	(m)	5.0
Connection method	Type	Flared Fitting
Operating Temperature	(Deg. °F)	61° ~ 88°
	(Deg. °C)	16° ~ 31°
<b>Ambient Temperature</b>		
Indoor (cooling)	(Deg. °F)	≥ 62°
	(Deg. °C)	≥ 17°
Indoor (heating)	(Deg. °F)	≤ 86°
	(Deg. °C)	≤ 30°
Outdoor (cooling)	(Deg. °F)	5° ~ 122°
	(Deg. °C)	-15° ~ 50°
Outdoor (heating)	(Deg. °F)	-4° ~ 86°
	(Deg. °C)	-20° ~ 30°

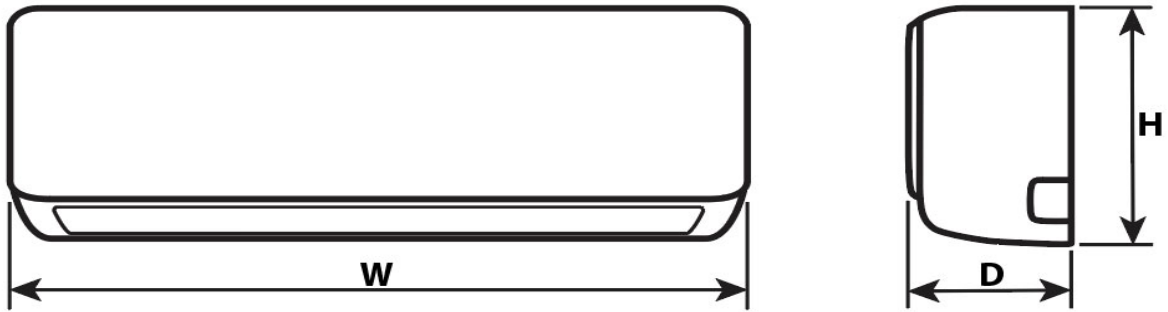
### INDOOR UNIT DATA

<b>Airflow &amp; Noise level</b>		
Indoor airflow (Hi/Med/Lo)	(CFM)	606/465/429
	(m3/h)	1030/790/730
Indoor noise level (Turbo/Hi/Med/Lo/Mute)	dB(A)	50/48/43/38/32
Suitable Room Coverage Area	sq. ft.	Up to 1000
<b>Dehumidification</b>	(Liters/Hr)	2.2
<b>Unit &amp; Packing Dimensions</b>		
Unit Dimensions (WxDxH)	(inch)	43.15x15.35x11.81
	(mm)	1096x390x300
Packing Dimensions (WxDxH)	(inch)	34.84x14.40x10.94
	(mm)	885x366x278
<b>Net/Gross Weight</b>		
Net/Gross weight (w/o accessories)	(lbs.)	27.6/33.7
	(kg)	12.5/15.3
Net/Gross weight (w/ all accessories)	(lbs.)	29.8/35.9
	(kg)	13.5/16.3

### OUTDOOR UNIT DATA

<b>Airflow &amp; Noise level</b>		
Outdoor airflow (Max.)	(CFM)	1530
	(m3/h)	2600
Outdoor noise level	dB(A)	54
<b>Unit &amp; Packing Dimensions</b>		
Unit Dimensions (WxDxH)	(inch)	30.70x13.74x23.81
	(mm)	780x349x605
Packing Dimensions (WxDxH)	(inch)	35.03x15.15x25.20
(w/o 5m pipe)	(mm)	890x385x640
Packing Dimensions (WxDxH)	(inch)	35.43x15.94x25.79
(w/ 5m pipe)	(mm)	900x405x655
Packing Dimensions (WxDxH)	(inch)	35.637x16.15x27.37
(w/ larger packaging & 5m pipe)	(mm)	905x410x695
<b>Net/Gross Weight</b>		
Net/Gross Weight (w/o 5m pipe)	(lbs.)	70.6/79.4
	(kg)	32.0/36.0
Net/Gross Weight (w/ 5m pipe)	(lbs.)	75.0/82.7
	(kg)	34.0/37.5
Gross Weight	(lbs.)	87.1
(w/ larger packaging & 5m pipe)	(kg)	39.5

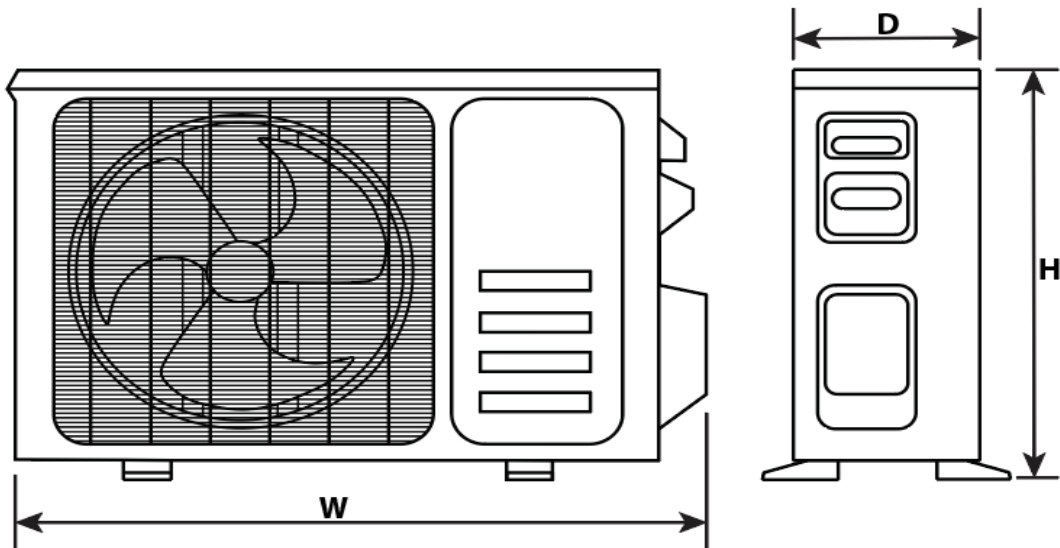
Indoor Unit Dimensions



Capacity	W (Width)	D (Depth)	H (Height)
9K-12K	31.92 in (811 mm)	11.49 in (292 mm)	8.07 in (205 mm)
18K	39.76 in (1010 mm)	12.40 in (315 mm)	8.66 in (220 mm)
24K-36K	46.93 in (1192 mm)	14.17 in (360 mm)	10.23 in (260 mm)

Units: Inch (Millimeter)

Outdoor Unit Dimensions



Capacity	W (Width)	D (Depth)	H (Height)
9K-12K	28.14 in (715 mm)	11.42 in (290 mm)	19.61 in (498 mm)
18K	30.70 in (780 mm)	13.74 in (349 mm)	23.81 in (605 mm)
24K	33.26 in (845 mm)	14.96 in (380 mm)	27.51 in (699 mm)
36K	35.83 in (910 mm)	16.54 in (420 mm)	31.50 in (800 mm)

Units: Inch (Millimeter)