

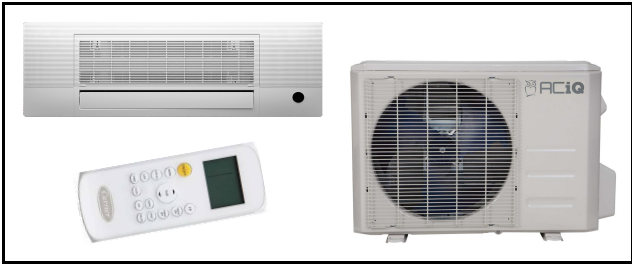


SUBMITTAL DATA SHEET

One Way Cassette Heat Pump System ACIQ-SCC0609-HH-M

Location: _____ Engineer: _____ Submitted to: _____ Submitted by: _____ Reference: _____	Approval: _____ Date: _____ Construction: _____ Unit #: _____ Drawing #: _____
--	--

Set Code	22022510004783
Indoor unit code	22022511003917
Outdoor unit code	22022016016162
Set Model	
Indoor unit model	ACIQ-SCC0609-HH-M
Certified	



SYSTEM PERFORMANCE DATA			
Power supply			
Normal Operational Voltage	(V, Ph, Hz)	208/230V, 1Ph, 60Hz	
Voltage Range	(V)	187-253	
Electrical			
Minimum circuit ampacity(Outdoor)	(A)	15.0	
Max.fuse(Outdoor)	(A)	15.0	
Connection wiring		14*4 AWG	
Cooling			
Capacity	(Btu/h)	9000(3600~12200)	
Power Input	(W)	692(282~1150)	
Current	(A)	3.10(1.4~5.2)	
SEER2	(Btu/W)	24.0	
EER2	(Btu/W)	13.0	
Heating			
Capacity	(Btu/h)	10900(4800~14000)	
Power Input	(W)	968(391~1400)	
Current	(A)	5.24(2.1~6.3)	
HSPF2-4	(Btu/W)	12.4	
HSPF2-5	(Btu/W)	9.5	
COP	W/W	3.30	
Heat at 17F(H32)	(Btu/h)	9800	
Heat at 5F(H42)	(Btu/h)	10500	
COP at 5F(H42)	W/W	1.80	

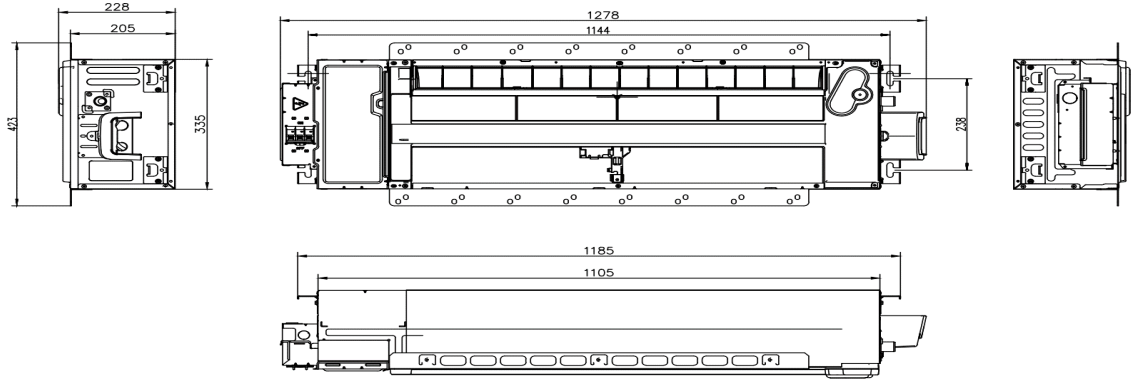
INDOOR UNIT DATA			
Indoor fan motor			
Model		ZKFN-30-8-43	
Qty		1	
Input	(W)	/	
Output	(W)	30.0	
RLA	(A)	0.80	
Speed(Hi/Mi/Lo)	(r/min)	1024/944/784	
Air flow & Noise level			
Indoor air flow (Hi/Med/Lo) (No duct)	(CFM)	341.18/294.12/258.82/235.29	
Indoor noise level (Hi/Med/Lo)	[dB(A)]	37.5/35.5/31	
Dehumidification	(L/H)	1.02	
Indoor unit			
Dimension (WxDxH)	(inch)	50.31x13.19x8.98	
	(mm)	1278x335x228	
Packing(WxDxH)	(inch)	57.60x22.48x22.64	
	(mm)	1463x571x575	
Net/Gross weight	(lbs.)	43.87/81.35	
	(kg)	19.9/36.9	

REFRIGERANT PIPE DATA			
Throttle type	Indoor unit	N/A	
	Outdoor unit	EXV	
Design pressure	(PSIG)	550/340	
Refrigerant Type		R410A	
Refrigerant charge	oz	41.62	
Refrigerant precharge	(ft)	25.0	
	(m)	7.5	
Additional charge for each ft	(oz/ft)	0.16	
Additional charge for each m	(g/m)	15.0	
Liquid side/ Gas side(indoor)	(inch)	1/4" / 3/8"	
	(mm)	6.35/9.52	
Liquid side/ Gas side(outdoor)	(inch)	1/4" / 3/8"	
	(mm)	6.35/9.52	
Max. pipe length	(ft)	82.0	
	(m)	25.0	
Max. difference in level	(ft)	32.8	
	(m)	10.0	
Connection method		Flared	
Indoor(cooling)	(Deg. °F)	60~90	
	(Deg. °C)	16~32	
Indoor(heating)	(Deg. °F)	32~86	
	(Deg. °C)	0~30	
Outdoor(cooling)	(Deg. °F)	-22~122	

OUTDOOR UNIT DATA			
Compressor			
Type		ROTARY	
Model		KTN110D42UFZ	
Brand		GMCC	
Capacity	(Btu/h)	11823	
Input	(W)	885	
Rated current (RLA)	(A)	8.8	
Refrigerant oil/oil charge	(ml)	VG74/350	
Outdoor fan motor			
Model		ZKFN-34-10-1	
Qty		1	
Input	(W)	/	
Output	(W)	34.00	
RLA	(A)	0.42	
Speed	(r/min)	850/680/450	
Air flow & Noise level			
Outdoor air flow (Max.)	(CFM)	1323.5	
Outdoor noise level	[dB(A)]	55.5	
Outdoor unit			
Dimension (WxDxH)	(inch)	31.69x12.99x21.81	
	(mm)	805x330x554	
Packing (WxDxH)	(inch)	36.02x14.57x24.21	
	(mm)	915x370x615	
Net/ Gross weight	(lbs.)	74.07/80.25	
	(kg)	33.6/36.4	

Outdoor(heating)	(Deg. °C)	-30~50
	(Deg. °F)	-22~75
	(Deg. °C)	-30~24

Indoor unit dimension



Outdoor unit dimension

