





SUBMITTAL DATA SHEET

Multi Zone Heat Pump **ES-55Z-M5B**

| | |
|--|--|
| Location: _____ Engineer: _____ Submitted to: _____ Submitted by: _____ Reference: _____ | Approval: _____ Date: _____ Construction: _____ Unit #: _____ Drawing #: _____ |
|--|--|

| | |
|--------------------|---|
| Set Code | 22022310003465 |
| Indoor unit code | 22022011016181+22022011016261 |
| Outdoor unit code | 22022316001765 |
| Set Model | |
| Indoor unit model | ES-55Z-M5B |
| Outdoor unit model | |
| Certified | |
| AHRI |  |
| UL |  |



SYSTEM PERFORMANCE DATA

| | | |
|----------------------------|-------------|------------------------------|
| Power supply | | |
| Normal Operational Voltage | (V, Ph, Hz) | 208/230V, 1Ph, 60Hz |
| Voltage Range | (V) | 187-253 |
| Electrical | | |
| Minimum circuit ampacity | (A) | 40.0 |
| Max. fuse | (A) | 60.0 |
| Connection wiring | | 14AWG*4 Stranded, unshielded |
| Cooling | | |
| Capacity | (Btu/h) | 55000(19000-57300) |
| Power Input | (W) | 5238(750-5900) |
| Current | (A) | 23.5(4.3-26.5) |
| SEER2 | (Btu/W) | 21.3 |
| EER2 | (Btu/W) | 10.5 |
| Heating | | |
| Capacity | (Btu/h) | 55000(12500-60000) |
| Power Input | (W) | 5037(770-5450) |
| Current | (A) | 22.5(4.4-24.5) |
| HSPF2-4 | (Btu/W) | 9.1 |
| HSPF2-5 | (Btu/W) | 6.8 |
| COP | W/W | 3.20 |
| Heat at 17F(H32) | (Btu/h) | 34400 |
| Heat at 5F(H42) | (Btu/h) | 33200 |
| COP at 5F(H42) | W/W | 1.80 |

| | | |
|------------------|-----------|--------|
| Outdoor(cooling) | (Deg. °F) | 5~122 |
| | (Deg. °C) | -15~50 |
| Outdoor(heating) | (Deg. °F) | -13~75 |
| | (Deg. °C) | -25~24 |

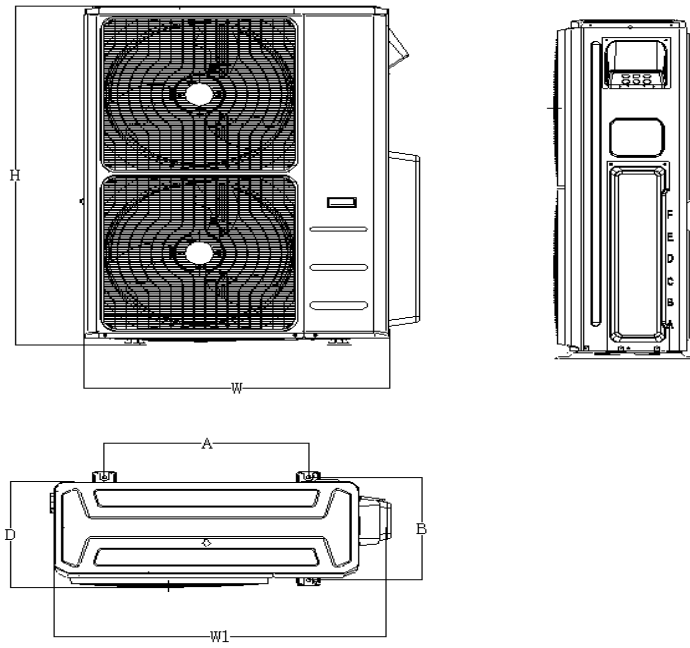
REFRIGERANT PIPE DATA

| | | |
|--|---------|---------------|
| Design pressure | (PSIG) | 550/340 |
| Refrigerant Type | | R410A |
| Refrigerant charge | oz | 162.0 |
| Refrigerant precharge | (ft) | 25x5 |
| Additional charge for each ft (Φ6.35 (1/4") liquid pipe) | (oz/ft) | 0.16 |
| | (g/ft) | 15.0 |
| Additional charge for each ft (Φ9.52 (3/8") liquid pipe) | (oz/ft) | 0.32 |
| | (g/ft) | 30.0 |
| Liquid side | (inch) | 5x1/4" |
| | (mm) | 5x6.35 |
| Gas side | (inch) | 3x3/8"+2x1/2" |
| | (mm) | 3x9.52+2x12.7 |
| Max. length for all rooms | (ft) | 262.5 |
| | (m) | 80.0 |
| Max. length for one indoor unit | (ft) | 114.8 |
| | (m) | 35.0 |
| Max. height difference between indoor and outdoor unit | (ft) | 49.2 |
| | (m) | 15.0 |
| Max. height difference between indoor units | (ft) | 33.0 |
| | (m) | 10.0 |

OUTDOOR UNIT DATA

| | | |
|-----------------------------------|---------|-------------------|
| Compressor | | |
| Type | | ROTARY |
| Model | | KTQ420D1UMU |
| Brand | | GMCC |
| Capacity | (Btu/h) | 46744 |
| Input | (W) | 3700 |
| Rated current (RLA) | (A) | 25.0 |
| Refrigerant oil/oil charge | (ml) | VG74/1400 |
| Outdoor fan motor | | |
| Model | | ZKFN-85-8-22-5 |
| Qty | | 2 |
| Input | (W) | 126.0 |
| Output | (W) | 85.0 |
| RLA | (A) | 2.5 |
| Speed | (r/min) | 900/850/800/750 |
| Air flow & Noise level | | |
| Outdoor air flow (Max.) | (CFM) | 4500.00 |
| Outdoor noise level | [dB(A)] | 62.00 |
| Outdoor unit | | |
| Dimension (W×D×H) | (inch) | 37.48x16.34x52.48 |
| | (mm) | 952x415x1333 |
| Packing (W×D×H) | (inch) | 43.11x19.49x58.27 |
| | (mm) | 1095x495x1480 |
| Net/ Gross weight | (lbs.) | 224.21/257.28 |
| | (kg) | 101.7/116.7 |

Outdoor unit dimension



| Unit | W | D | H | W1 | A | B |
|------|------|------|------|------|------|------|
| mm | 952 | 415 | 1333 | 1060 | 634 | 404 |
| inch | 37.5 | 16.3 | 52.5 | 41.7 | 25.0 | 15.9 |