






**SUBMITTAL DATA SHEET**

**Ceiling&Floor Heat Pump System** **ACIQ-18FM-HH-MB**

Location: _____ Engineer: _____ Submitted to: _____ Submitted by: _____ Reference: _____	Approval: _____ Date: _____ Construction: _____ Unit #: _____ Drawing #: _____
--	--

<b>Set Code</b>	22022710003676
Indoor unit code	22022711000996
Outdoor unit code	22022016015900
<b>Set Model</b>	
Indoor unit model	ACIQ-18FM-HH-MB
Outdoor unit model	
<b>Certified</b>	
AHRI	
UL	
	



**SYSTEM PERFORMANCE DATA**

<b>Power supply</b>		
Normal Operational Voltage	(V, Ph, Hz)	208/230V, 1Ph, 60Hz
Voltage Range	(V)	187-253
<b>Electrical</b>		
Minimum circuit ampacity(Outdoor)	(A)	20.0
Max.fuse(Outdoor)	(A)	25.0
Connection wiring		14#x4
<b>Cooling</b>		
Capacity	(Btu/h)	17000(7800~19900)
Power Input	(W)	1360(340~1940)
Current	(A)	8.80(2.55~9.20)
SEER2	(Btu/W)	20.5
EER2	(Btu/W)	12.5
<b>Heating</b>		
Capacity	(Btu/h)	18000(8600~21500)
Power Input	(W)	1655(590~2200)
Current	(A)	10.90(3.95~11.20)
HSPF2-4	(Btu/W)	9.8
HSPF2-5	(Btu/W)	7.5
COP	W/W	3.01
Heat at 17F(H32)	(Btu/h)	12000
Heat at 5F(H42)	(Btu/h)	16800
COP at 5F(H42)	W/W	1.86

**REFRIGERANT PIPE DATA**

Throttle type	Indoor unit	N/A
	Outdoor unit	EXV
Design pressure	(PSIG)	550/340
Refrigerant Type		R410A
Refrigerant charge	oz	65.26
Refrigerant precharge	(ft)	25.0
	(m)	7.5
Additional charge for each ft	(oz/ft)	0.16
Additional charge for each m	(g/m)	15.0
Liquid side/ Gas side(indoor)	(inch)	1/4"/1/2"
	(mm)	6.35/12.7
Liquid side/ Gas side(outdoor)	(inch)	1/4"/1/2"
	(mm)	6.35/12.7
Max. pipe length	(ft)	98.4
	(m)	30.0
Max. difference in level	(ft)	65.6
	(m)	20.0
Connection method		Flared
Indoor(cooling)	(Deg. °F)	62~90
	(Deg. °C)	17~32
Indoor(heating)	(Deg. °F)	32~86
	(Deg. °C)	0~30
Outdoor(cooling)	(Deg. °F)	-22~122

**INDOOR UNIT DATA**

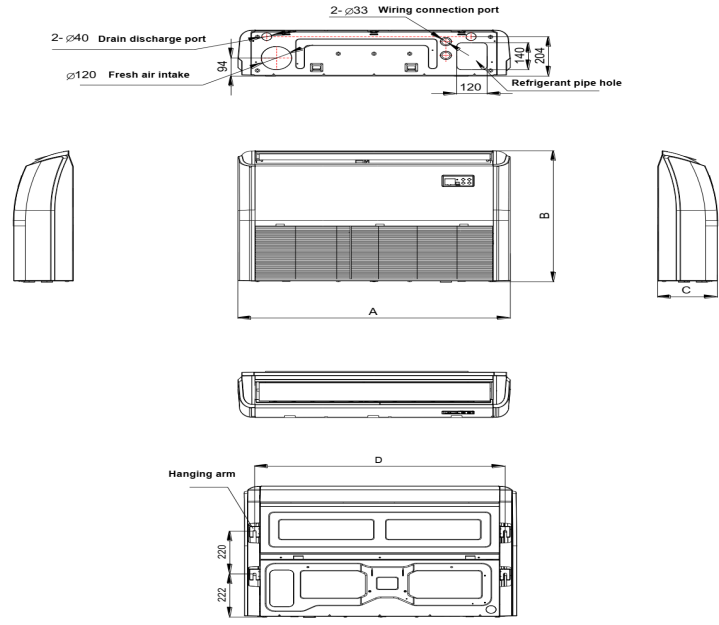
<b>Indoor fan motor</b>		
Model		ZKFN-90-8-1
Qty		1.00
Input	(W)	96.00
Output	(W)	90.0
RLA	(A)	1.50
Speed(Hi/Mi/Lo)	(r/min)	950/850/750
<b>Air flow &amp; Noise level</b>		
Indoor air flow (Hi/Med/Lo) (No duct)	(CFM)	//548.24/485.29/420.59
Indoor noise level (Hi/Med/Lo)	[dB(A)]	45.5/43/39
<b>Dehumidification</b>	(L/H)	2.19
<b>Indoor unit</b>		
Dimension (WxDxH)	(inch)	42.05x26.57x9.25
	(mm)	1068x675x235
Packing(WxDxH)	(inch)	45.08x29.72x12.52
	(mm)	1145x755x318
Net/Gross weight	(lbs.)	57.10/68.34
	(kg)	25.9/31

**OUTDOOR UNIT DATA**

<b>Compressor</b>		
Type		Twin-ROTARY
Model		KTM240D43UKT
Brand		GMCC
Capacity	(Btu/h)	25931
Input	(W)	2045
Rated current (RLA)	(A)	14.3
Refrigerant oil/oil charge	(ml)	ESTER OIL VG74 620
<b>Outdoor fan motor</b>		
Model		ZKFN-80-8-3
Qty		1
Input	(W)	/
Output	(W)	80.00
RLA	(A)	0.76
Speed	(r/min)	810/720
<b>Air flow &amp; Noise level</b>		
Outdoor air flow (Max.)	(CFM)	1764.7
Outdoor noise level	[dB(A)]	59.0
<b>Outdoor unit</b>		
Dimension (WxDxH)	(inch)	35.04x13.46x26.50
	(mm)	890x342x673
Packing (WxDxH)	(inch)	39.17x15.67x29.13
	(mm)	995x398x740
Net/ Gross weight	(lbs.)	100.97/108.03
	(kg)	45.8/49

Outdoor(heating)	(Deg. °C)	-30~50
	(Deg. °F)	-22~75
	(Deg. °C)	-30~24

**Indoor unit dimension**



Capacity (Btu/h)	Unit	A	B	C	D
18K / 24K	mm	1068	675	235	983
	inch	42.05	26.57	9.25	38.70
36K	mm	1285	675	235	1200
	inch	50.59	26.57	9.25	47.24
48K/60K	mm	1650	675	235	1565
	inch	64.96	26.57	9.25	61.61

**Outdoor unit dimension**

