






SUBMITTAL DATA SHEET

Multi Zone Heat Pump **ACIQ-48Z-HH-M5B**

Location: _____ Engineer: _____ Submitted to: _____ Submitted by: _____ Reference: _____	Approval: _____ Date: _____ Construction: _____ Unit #: _____ Drawing #: _____
--	--

Set Code	22022310002985
Indoor unit code	220220110161812202011016261
Outdoor unit code	22022316001165
Set Model	
Indoor unit model	ACIQ-48Z-HH-M5B
Outdoor unit model	
Certified	
AHRI	
UL	
	



SYSTEM PERFORMANCE DATA

Power supply		
Normal Operational Voltage	(V, Ph, Hz)	208/230V, 1Ph, 60Hz
Voltage Range	(V)	187-253
Electrical		
Minimum circuit ampacity	(A)	42.0
Max. fuse	(A)	50.0
Connection wiring		14AWG*4 Stranded, unshielded
Cooling		
Capacity	(Btu/h)	48000(19300-51000)
Power Input	(W)	4190(685-4700)
Current	(A)	18.0(5.1-20.7)
SEER2	(Btu/W)	21.8
EER2	(Btu/W)	11.7
Heating		
Capacity	(Btu/h)	49000(11500-58000)
Power Input	(W)	3780(710-5800)
Current	(A)	17.8(5.3-25.5)
HSPF2-4	(Btu/W)	9.8
HSPF2-5	(Btu/W)	7.6
COP	W/W	3.80
Heat at 17F(H32)	(Btu/h)	36000
Heat at 5F(H42)	(Btu/h)	45000
COP at 5F(H42)	W/W	2.00

	(Deg. °F)	5~122
Outdoor(cooling)	(Deg. °C)	-15~50
	(Deg. °F)	-22~75
Outdoor(heating)	(Deg. °C)	-30~24

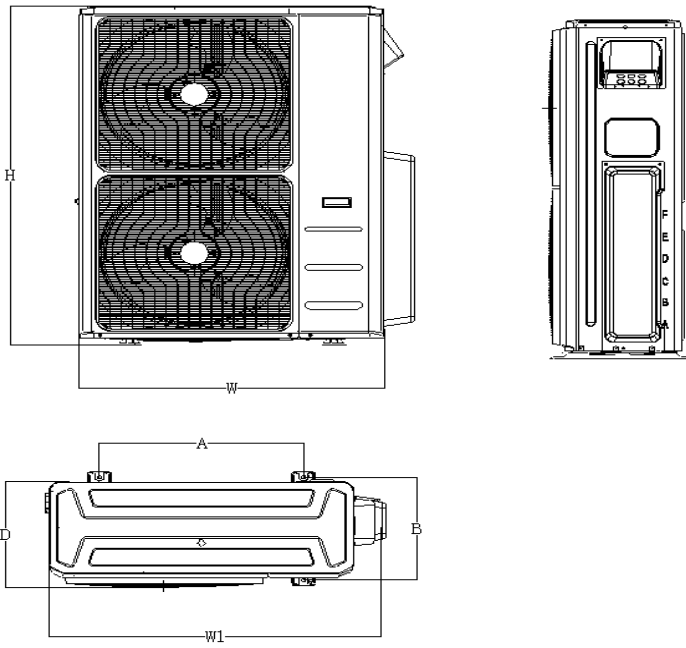
REFRIGERANT PIPE DATA

Design pressure	(PSIG)	550/340
Refrigerant Type		R410A
Refrigerant charge	oz	162.0
Refrigerant precharge	(ft)	25x5
Additional charge for each ft (Φ6.35 (1/4") liquid pipe)	(oz/ft)	0.16
	(g/ft)	15.0
Additional charge for each ft (Φ9.52 (3/8") liquid pipe)	(oz/ft)	0.32
	(g/ft)	30.0
Liquid side	(inch)	5x1/4"
	(mm)	5x6.35
Gas side	(inch)	3x3/8"+2x1/2"
	(mm)	3x9.52+2x12.7
Max. length for all rooms	(ft)	262.5
	(m)	80.0
Max. length for one indoor unit	(ft)	114.8
	(m)	35.0
Max. height difference between indoor and outdoor unit	(ft)	49.2
	(m)	15.0
Max. height difference between indoor units	(ft)	33.0
	(m)	10.0

OUTDOOR UNIT DATA

Compressor		
Type		ROTARY
Model		EAPQ420D1UMUA
Brand		GMCC
Capacity	(Btu/h)	44015
Input	(W)	3565
Rated current (RLA)	(A)	30
Refrigerant oil/oil charge	(ml)	1460±15mlESTER OIL VG74
Outdoor fan motor		
Model		ZKFN-85-8-22-5
Qty		2
Input	(W)	126.00
Output	(W)	85.00
RLA	(A)	1.00
Speed	(r/min)	900/850/800/750
Air flow & Noise level		
Outdoor air flow (Max.)	(CFM)	4500.00
Outdoor noise level	[dB(A)]	65.00
Outdoor unit		
Dimension (W×D×H)	(inch)	37.48x16.34x52.48
	(mm)	952x415x1333
Packing (W×D×H)	(inch)	43.11x19.49x58.27
	(mm)	1095x495x1480
Net/ Gross weight	(lbs.)	238.32/269.84
	(kg)	108.1/122.4

Outdoor unit dimension



Unit	W	D	H	W1	A	B
mm	952	415	1333	1060	634	404
inch	37.5	16.3	52.5	41.7	25.0	15.9