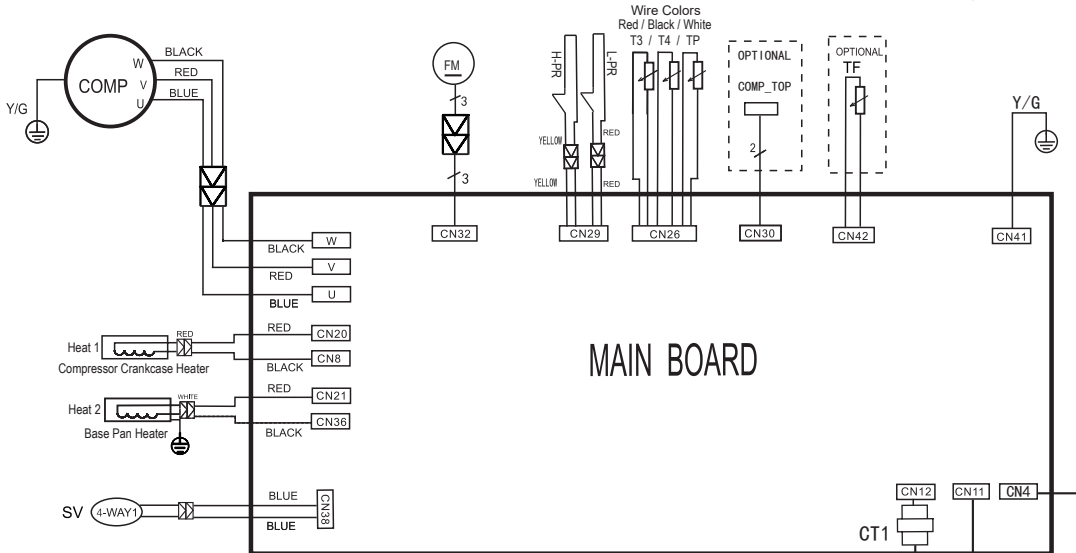


5.9 in.

ACiQ-24-HPB



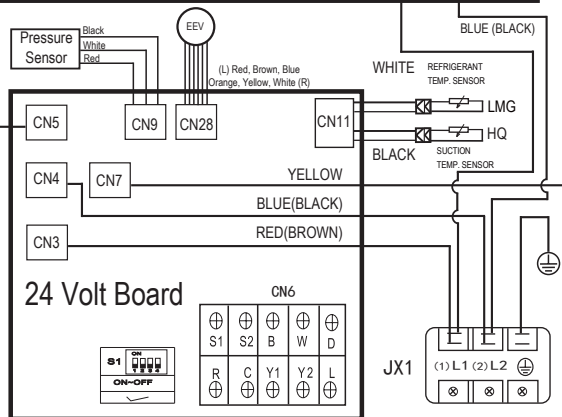
6.3 in.

CODE	PART NAME
JX1	TERMINAL BLOCK
COMP_TOP	COMPRESSOR OLP TEMPERATURE SENSOR
EEV	ELECTRIC EXPANSIVE VALVE
FM1	OUTDOOR DC FAN
COMP	COMPRESSOR
HEAT1,HEAT2	CRANKCASE HEATING
CT1	AC CURRENT DETECTOR
H-PR	High Pressure Switch
L-PR	Low Pressure Switch
SV	4-WAY VALVE
TP	EXHAUST TEMPERATURE SENSOR
T3	CONDENSER TEMPERATURE SENSOR
T4	OUTDOOR AMBIENT TEMPERATURE SENSOR
TF	TUBE FOR HEATSINK TEMPERATURE SENSOR
HQ	TUBE FOR SUCTION TEMPERATURE SENSOR
LMG	TUBE FOR REFRIGERANT TEMPERATURE SENSOR

Not Present On Standard Model

DCF (4-WAY SOLENOID VALVE) 2

S1	OFF	ON
1	INDOOR UNIT THROTTLING	OUTDOOR UNIT THROTTLING
2	INDOOR AND OUTDOOR MODE	OUTDOOR UNIT ONLY MODE
3	NONE	PRESSURE COMPENSATION
4	NONE	NONE



Notes:

Items enclosed in dotted lines are optional and may not be present on the unit.

