



SUBMITTAL DATA SHEET

Ceiling&Floor Heat Pump System ACIQ-24FM-HH-MB

Location: _____ Engineer: _____ Submitted to: _____ Submitted by: _____ Reference: _____	Approval: _____ Date: _____ Construction: _____ Unit #: _____ Drawing #: _____
--	--

Set Code	22022710003699
Indoor unit code	22022711000421
Outdoor unit code	22022016015920
Set Model	ACIQ-24FM-HH-MB
Indoor unit model	
Outdoor unit model	
Certified	



SYSTEM PERFORMANCE DATA

Power supply		
Normal Operational Voltage	(V, Ph, Hz)	208/230V, 1Ph, 60Hz
Voltage Range	(V)	187-253
Electrical		
Minimum circuit ampacity(Outdoor)	(A)	25.0
Max.fuse(Outdoor)	(A)	35.0
Connection wiring		14#x4
Cooling		
Capacity	(Btu/h)	24000(5400~26800)
Power Input	(W)	2087(250~2400)
Current	(A)	9.55(2.0~11.0)
SEER2	(Btu/W)	20.5
EER2	(Btu/W)	11.7
Heating		
Capacity	(Btu/h)	25000(12500~30500)
Power Input	(W)	2060(730~2500)
Current	(A)	9.15(5.0~11.0)
HSPF2-4	(Btu/W)	11.0
HSPF2-5	(Btu/W)	9.0
COP	W/W	3.56
Heat at 17F(H32)	(Btu/h)	19000
Heat at 5F(H42)	(Btu/h)	25000
COP at 5F(H42)	W/W	2.10

REFRIGERANT PIPE DATA

Throttle type	Indoor unit	N/A
	Outdoor unit	EXV+Throttle valve
Design pressure	(PSIG)	550/340
Refrigerant Type		R410A
Refrigerant charge	oz	91.71
Refrigerant precharge	(ft)	25.0
	(m)	7.5
Additional charge for each ft	(oz/ft)	0.32
Additional charge for each m	(g/m)	30.0
Liquid side/ Gas side(indoor)	(inch)	3/8"/5/8"
	(mm)	9.52/15.9
Liquid side/ Gas side(outdoor)	(inch)	3/8"/5/8"
	(mm)	9.52/15.9
Max. pipe length	(ft)	164.0
	(m)	50.0
Max. difference in level	(ft)	82.0
	(m)	25.0
Connection method		Flared
Indoor(cooling)	(Deg. °F)	62~90
	(Deg. °C)	17~32
Indoor(heating)	(Deg. °F)	32~86
	(Deg. °C)	0~30
Outdoor(cooling)	(Deg. °F)	-22~122

INDOOR UNIT DATA

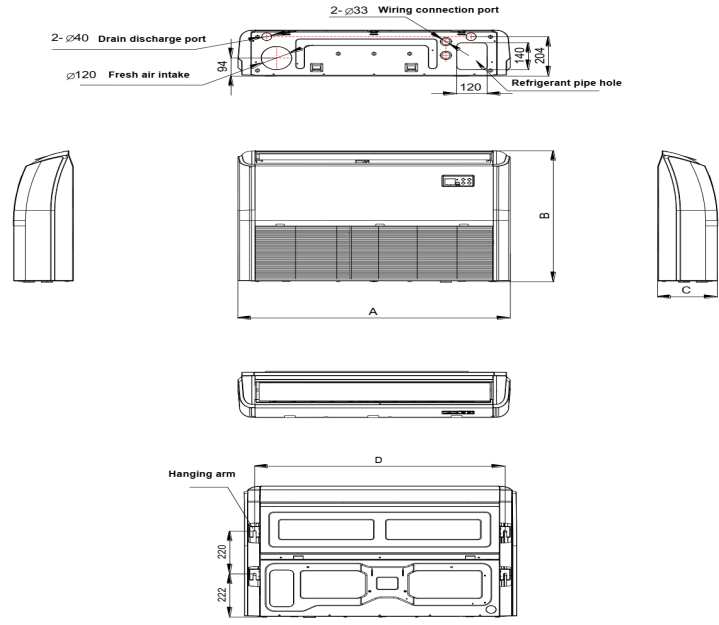
Indoor fan motor		
Model		ZKFN-90-8-1
Qty		1.00
Input	(W)	96.00
Output	(W)	90.0
RLA	(A)	0.00
Speed(Hi/Mi/Lo)	(r/min)	1350/1260/1120
Air flow & Noise level		
Indoor air flow (Hi/Med/Lo) (No duct)	(CFM)	//758.82/708.24/598.24
Indoor noise level (Hi/Med/Lo)	[dB(A)]	51/47.5/42
Dehumidification	(L/H)	3.06
Indoor unit		
Dimension (WxDxH)	(inch)	42.05x26.57x9.25
	(mm)	1068x675x235
Packing(WxDxH)	(inch)	45.08x29.72x12.52
	(mm)	1145x755x318
Net/Gross weight	(lbs.)	60.63/72.09
	(kg)	27.5/32.7

OUTDOOR UNIT DATA

Compressor		
Type		Twin-ROTARY
Model		KTM240D43UKT
Brand		GMCC
Capacity	(Btu/h)	25931
Input	(W)	2045
Rated current (RLA)	(A)	17.1
Refrigerant oil/oil charge	(ml)	ESTER OIL VG74 620
Outdoor fan motor		
Model		ZKFN-120-8-2
Qty		1
Input	(W)	150.00
Output	(W)	120.00
RLA	(A)	0.50
Speed	(r/min)	950/800/500
Air flow & Noise level		
Outdoor air flow (Max.)	(CFM)	2235.3
Outdoor noise level	[dB(A)]	62.5
Outdoor unit		
Dimension (WxDxH)	(inch)	37.24x16.14x31.89
	(mm)	946x410x810
Packing (WxDxH)	(inch)	42.91x19.69x34.84
	(mm)	1090x500x885
Net/ Gross weight	(lbs.)	134.48/144.40
	(kg)	61/65.5

Outdoor(heating)	(Deg. °C)	-30~50
	(Deg. °F)	-22~75
	(Deg. °C)	-30~24

Indoor unit dimension



Capacity (Btu/h)	Unit	A	B	C	D
18K / 24K	mm	1068	675	235	983
	inch	42.05	26.57	9.25	38.70
36K	mm	1285	675	235	1200
	inch	50.59	26.57	9.25	47.24
48K/60K	mm	1650	675	235	1565
	inch	64.96	26.57	9.25	61.61

Outdoor unit dimension

