



SUBMITTAL DATA SHEET

ACIQ-24ZPL-HP230B	24000Btu/h
Location: _____	Approval: _____
Engineer: _____	Date: _____
Submitted to: _____	Construction: _____
Submitted by: _____	Unit #: _____
Reference: _____	Drawing #: _____

Set Code	22023110000507
Indoor unit code	22023111000250
Outdoor unit code	22023116000161
Set Model	
Indoor unit model	
Outdoor unit model	ACIQ-24ZPL-HP230B
Certified	<div style="display: flex; justify-content: space-around; align-items: center;"> <div style="text-align: center;"> AHRI </div> <div style="text-align: center;"> </div> <div style="text-align: center;"> </div> </div>



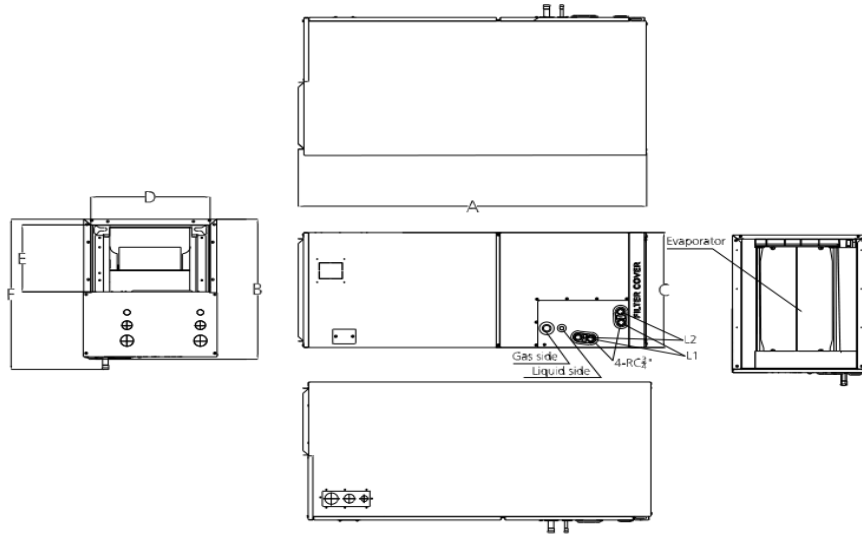
SYSTEM PERFORMANCE DATA		
Power supply		
Normal Operational Voltage	(V, Ph, Hz)	208/230, 1, 60
Voltage Range	(V)	187-253
Electrical		
Minimum circuit ampacity	(A)	20.5
Max.fuse	(A)	35
Connection wiring		14AWG*2 Stranded, shielded
Cooling		
Rated Capacity	(Btu/h)	24000
Capacity Range	(Btu/h)	6400~27000
Power Input	(W)	1920
Rated current	(A)	9
SEER	(Btu/W)	20
EER	(Btu/W)	12.5
Heating at 47F		
Rated Capacity	(Btu/h)	24000
Capacity Range	(Btu/h)	10100~31000
Power Input	(W)	2040
Rated current	(A)	9
HSPF4	(Btu/W)	12
HSPF5	(Btu/W)	10
COP	W/W	3

REFRIGERANT PIPE DATA		
Throttle type	Indoor unit Outdoor unit	EEV for cooling EEV for heating
Design pressure	(PSIG)	550/340
Refrigerant Type	(Oz)	R410A/102.32
Refrigerant precharge	(ft)	25.0
	(m)	7.5
Additional charge for each ft	(oz/ft)	0.69
	(g/m)	65
Liquid side/ Gas side	(inch)	3/8" / 3/4"
	(mm)	9.52/19
Max. pipe length	(ft)	164.0
	(m)	50
Max. difference in level	(ft)	82.0
	(m)	25
Connection method		Flared
Indoor(cooling/ heating)	(Deg. °F)	60~90/32~86
	(Deg. °C)	16~32/0~30
Outdoor(cooling/heating)	(Deg. °F)	-30~122/-30~75
	(Deg. °C)	-30~50/ -30~24
Application area	(sq.ft)	344.44~505.90
	(m2)	32~47

INDOOR UNIT DATA		
Indoor fan motor		
Type		Centrifugal
Model		ZKFD-250-8-1
Qty		1
Input	(W)	67.8
RLA	(A)	---
LRA	(A)	---
Winding Resistance	(Ω)	---
Capacitor	(uF)	---
Speed(Hi/Mi/Lo)	(r/min)	-
Air flow & Noise level		
Indoor air flow (Hi/Med/Lo) (N)	(CFM)	758.82/694.12/629.41
Indoor noise level (Hi/Med/Lc)	[dB(A)]	43/40.5/35
Dehumidification		
	(Pint/H)	---
Indoor unit		
Dimension (WxDxH)	(inch)	21.02x17.52x45.00
	(mm)	534x445x1143
Packing(WxDxH)	(inch)	25.20x20.87x50.39
	(mm)	640x530x1280
Net/Gross weight	(lbs.)	105.60/127.43
	(kg)	47.9/57.8

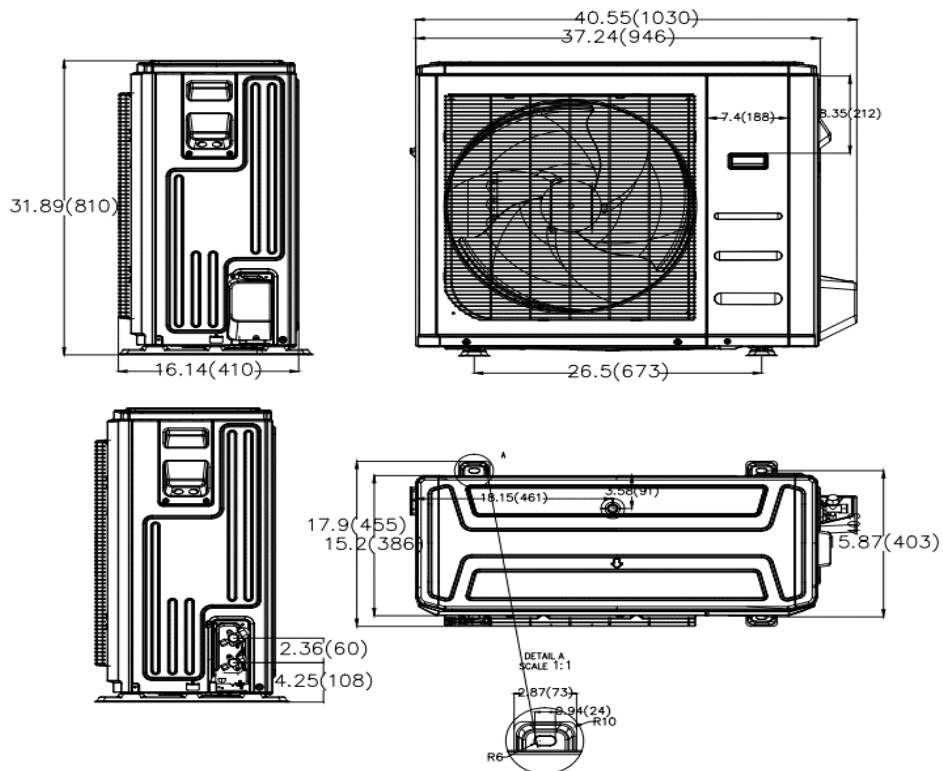
OUTDOOR UNIT DATA		
Compressor		
Type		Twin-ROTARY
Model		KTM240D57UMT
Brand		GMCC
Capacity	(Btu/h)	24686
Input	(W)	1945
Rated current (RLA)	(A)	-
Refrigerant oil/oil charge	(ml)	VG74/670
Outdoor fan motor		
Model		ZKFN-120-8-2
Qty		1
Input	(W)	150.0
RLA	(A)	--
Speed	(r/min)	950/700/500/400
Air flow & Noise level		
Outdoor air flow (Max.)	(CFM)	3000.00
Outdoor noise level	[dB(A)]	64
Outdoor unit		
Dimension (W×D×H)	(inch)	37.24x16.14x31.89
	(mm)	946x410x810
Packing (W×D×H)	(inch)	42.91x19.69x34.84
	(mm)	1090x500x885
Net/ Gross weight	(lbs.)	136.69/145.50
	(kg)	62/66

Indoor unit dimension



Model	Unit	Dimensions(mm)						Drain hole	
		A	B	C	D	E	F	L1	L2
18k~24k	mm	1143	534	445	400	260	585	Main drain	Overflow drain
	inch	45	21	17-1/2	15-3/4	10-1/4	23		
30k-48k	mm	1245	534	534	490	260	585		
	inch	49	21	21	19-5/16	10-1/4	23		
60k	mm	1346	534	622	580	260	585		
	inch	53	21	24-1/2	22-7/8	10-1/4	23		

Outdoor unit dimension



Fan performance

24K

