

**Submittal Data: ACiQ-24W-HP230 / ACiQ-24Z-HP230**

Job Name \_\_\_\_\_ Location \_\_\_\_\_ Date \_\_\_\_\_

Purchaser \_\_\_\_\_ Engineer \_\_\_\_\_

Submitted To \_\_\_\_\_ For  Reference  Approval  Construction

Unit Designation \_\_\_\_\_ Schedule No. \_\_\_\_\_

- General Features**
- Intelligently high efficiency design
  - Stealth and compact with quiet operation
  - Durable and reliable engineering
  - Golden Fin condenser coating
  - Heating and cooling down to -5°F
  - Included remote with LCD display
  - On-handler LED display
  - 5 year parts and 12 year limited compressor warranty with online registration



AHRI Certificate Reference No. 206315634

**System Performance Ratings**

<b>Cooling</b>		
Capacity	Btu/h	24000
Input	W	2500
Rated current	A	11.0
EER	Btu/w	9.5
SEER	Btu/w	17.0

<b>Heating at 47</b>		
Capacity	Btu/h	24000
Input	W	2200
Rated current	A	9.6
COP	WW	3.2
HSPF4		9.5
HSPF5		8.0

<b>Compressor</b>		
Model		KTM240D57UMT
Type		Rotary
Brand		GMCC
Capacity	Btu/h	26323.58
Input	W	2085
Rated current(RLA)	A	9.45
Locked rotor Amp(LRA)	A	-
Thermal protector		-
Thermal protector position		-
Refrigerant oil/oil charge	ml	VG74/670

**Refrigerant Piping Data**

Design pressure	PSIG	550/340
Refrigerant type	oz	R410A/62.79
Refrigerant precharge	ft	25
Additional charge per ft.	oz	0.322
Liquid side/Gas side	mm(in)	φ9.52/φ15.9(3/8"/5/8")
Max. refrigerant pipe length	ft	98
Max. difference in level	ft.	66

**Indoor Unit Data**

<b>Indoor fan motor</b>		
Model		ZKFP-58-8-1
Brand		Welling
Input		64
RLA	A	0.206
LRA	A	-
Winding Resistance	Ω	-
Capacitor	uF	-
Speed(Hi/Mi/Lo)	r/min	1100/900/750

<b>Air flow &amp; Noise level</b>		
Indoor air flow (Hi/Lo)	CFM	706/588/450
Indoor noise level (Hi/Lo)	dB(A)	48/42.5/34

**Outdoor Unit Data**

<b>Outdoor fan motor</b>		
Model		ZKFN-50-8-2-3
Brand		Welling
Input		50
RLA	A	0.5
LRA	A	-
Winding Resistance	Ω	37.3
Capacitor	uF	-
Speed	r/min	800/750/650

<b>Air flow &amp; Noise level</b>		
Outdoor air flow	CFM	1823
Outdoor noise level	dB(A)	58

Power supply	Ph-V-Hz	208-230V, 1Ph, 60Hz
MINIMUM CIRCUIT AMPACITY	A	20.0
MAX. FUSE	A	25.0
Connection wiring		16*4 AWG

## Features & Function Summary

SYSTEM FEATURES	
Inverter Type	GMCC
Ultra Low Frequency Torque Control	YES
Power Factor Correction	YES
Compressor Type	High Eff. Rotary
Refrigerant Type	R410A
Outdoor Fin Coating	Golden Fin
Intelligent Defrosting	YES
Intelligent Preheating	YES
Low Voltage Startup	YES
Memory/Power Failure Recovery	YES
Self Diagnosis	YES
Multi Fan Speeds	3 Speeds
Indoor Unit Display	YES

REMOTE CONTROLLER FUNCTIONS	
Auto Mode	YES
Auto Fan	YES
Vertical Auto Swing	YES
Clock on Remote Controller	YES
Dry Mode	YES
Energy Saving Mode	YES
I Feel Function	YES
Lock on Remote Controller	YES
Room Temperature Display	YES
Sleep Mode	YES
Timer Mode	YES
Turbo Mode	YES
Display On/Off Control	YES
Freeze Guard Mode	YES
Display On/Off Control	YES
Freeze Guard Mode	YES

## EXTENDED RATINGS

### COOLING PERFORMANCE (BtuH)\*

Indoor			-5F (-20.6C)	5F (-15C)	15F (-9.4C)	35F (1.7C)	45F (7.2C)	75F (23.9C)	85F (29.4C)	95F (35C)	122F (50C)
DB	WB										
65F (18.3C)	54F	TC	20.06	21.53	21.18	20.90	20.59	20.02	20.17	19.95	15.32
		SC	15.12	17.12	17.10	16.27	15.52	15.92	16.28	15.55	14.68
70F (21.1C)	59F	TC	21.38	23.08	22.98	22.29	22.21	21.72	21.25	21.28	16.62
		SC	16.13	18.36	18.55	17.35	16.75	17.27	17.16	16.58	15.93
75F (23.9C)	63F	TC	22.59	24.25	24.01	23.55	23.33	22.69	22.46	22.48	17.36
		SC	16.80	19.25	19.29	18.34	17.59	18.04	18.13	17.52	16.64
80F (26.7C)	67F	TC	24.16	25.94	25.68	25.18	24.95	24.26	24.15	24.04	18.56
		SC	18.14	20.46	20.55	19.31	18.82	19.30	19.50	18.73	17.80

### HEATING PERFORMANCE (BtuH)\*

Indoor (DB)			-5F (-20.6C)	5F (-15C)	17F (-8.3C)	32F (0C)	39.2F (4C)	44.6F (7C)	47F (8.3C)	53.6F (12C)	57F (13.9C)
60F (15.6C)		TC	14.70	17.95	21.14	22.55	25.25	28.28	29.63	30.72	31.83
		Input	2.24	2.45	2.53	2.49	2.53	2.67	2.64	2.58	2.57
65F (18.3C)		TC	14.13	17.20	20.26	21.59	24.15	27.15	28.33	29.39	30.44
		Input	2.28	2.48	2.57	2.52	2.57	2.71	2.68	2.62	2.61
70F (21.1C)		TC	13.65	16.67	19.61	20.90	23.36	26.24	27.46	28.45	29.44
		Input	2.31	2.52	2.61	2.56	2.61	2.76	2.73	2.66	2.65
75F (23.9C)		TC	13.04	16.00	18.53	20.06	22.42	25.32	26.36	27.02	27.82
		Input	2.35	2.56	2.65	2.60	2.65	2.80	2.77	2.70	2.69

\* Maximum system capacity

DB - Dry Bulb

WB - Wet Bulb

put - Total Power (kW)

TC - Total Net Capacity (1,000 BTU/hour)

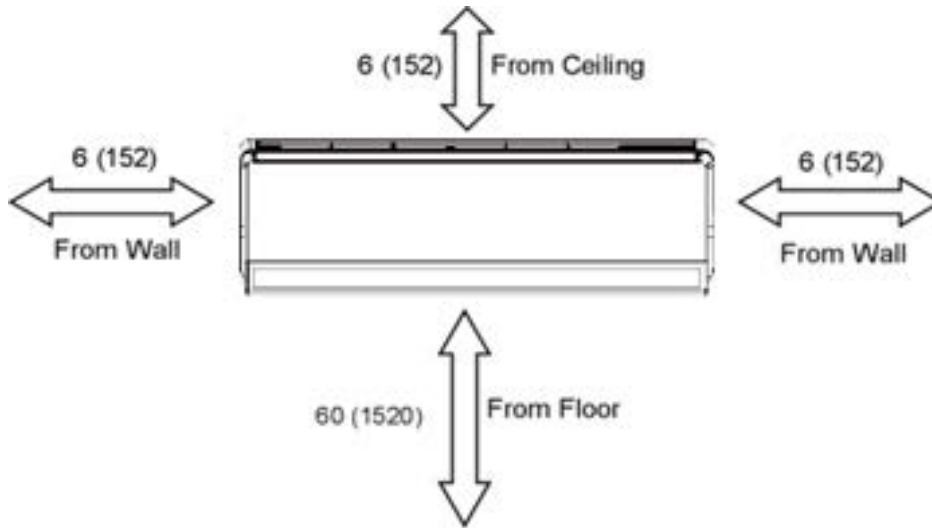
SC - Sensible Capacity (1,000 BTU/hour) In-

COP - W/W

MINIMUM SPACING REQUIREMENTS

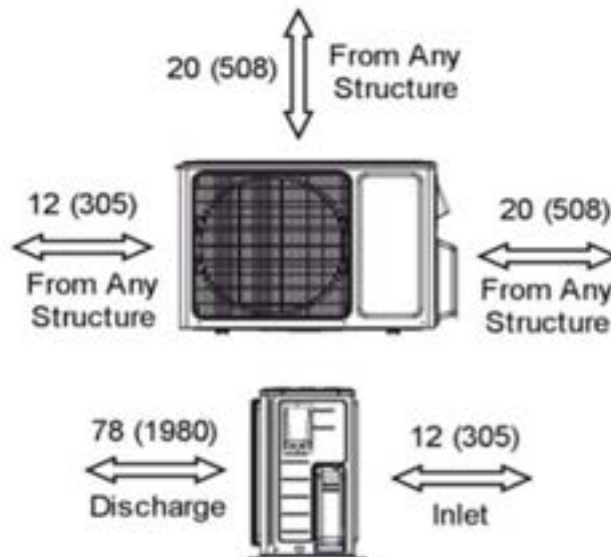
Units: inch (mm)

INDOOR



Units: inch (mm)

OUTDOOR

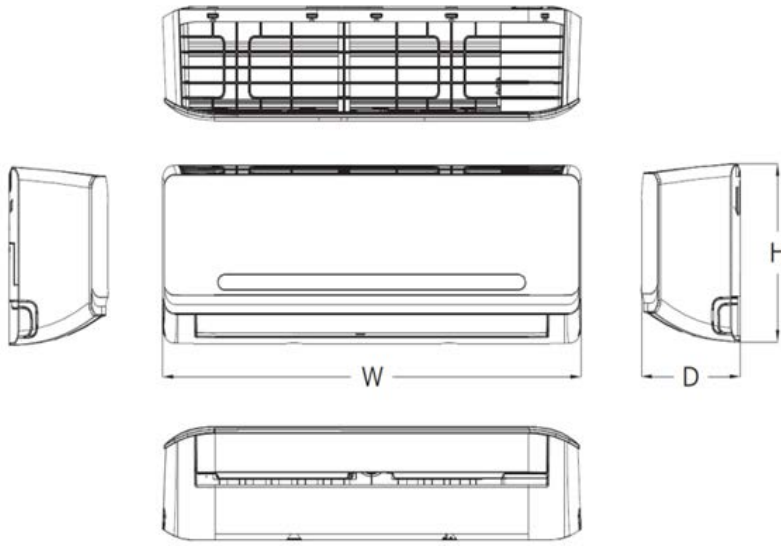


## DIMENSIONAL SPECIFICATIONS

### INDOOR UNIT DIMENSIONS

Units: inch

Model No: ACiQ-24W-HP230



Dimensions	
W	37.99
D	8.46
H	12.56

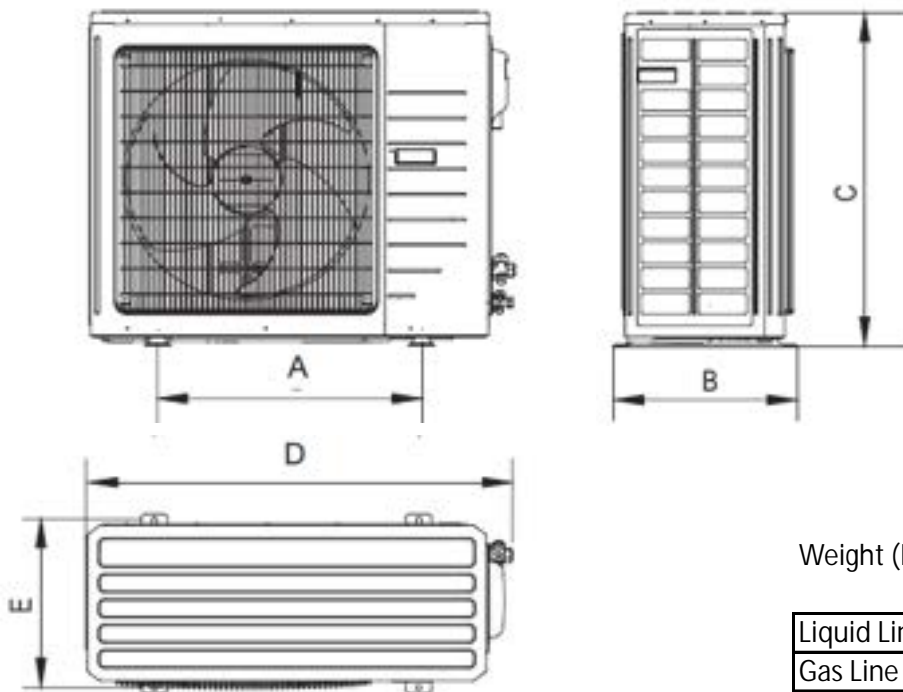
Weight (Net/Gross) 30.2/39.68 lbs

Liquid Line Valve	3/8-in OD Flared
Gas Line Valve	5/8-in OD Flared
Drain Connector	5/8-in OD

### OUTDOOR UNIT DIMENSIONS

Units: inch

Model No: ACiQ-24Z-HP230



Dimensions	
A	21.26
B	13.78
C	27.64
D	35.95
E	14.29

Weight (Net/Gross) 105.16/112.22 lbs

Liquid Line Valve	3/8-in OD Flared
Gas Line Valve	5/8-in OD Flared